

FRONT MOUNTED ROTARY OPERATOR STANDARD  
IEC IP30/40 ACCESSORY FOR 3VA2 100/160/250



Model		
product brand name		SETRON
Design of handle		Gray
Protection class IP		IP30
Product details		
Product component / axis extension		No
Product feature / lockable		Yes
Accessories		
accessories		Direct rotary operating mechanism
Height	mm	80
Depth	mm	102
Net weight	g	307

General Product Approval	Declaration of Conformity	other
--------------------------	---------------------------	-------



[sonstig](#)

### Further information

**Information- and Downloadcenter (Catalogs, Brochures,...)**

<http://www.siemens.com/lowvoltage/catalogs>

**Industry Mall (Online ordering system)**

<https://eb.automation.siemens.com/mall/en/WW/Catalog/Product/3VA92670EK11>

**Service&Support (Manuals, Certificates, Characteristics, FAQs,...)**

<http://support.automation.siemens.com/WW/view/en/3VA92670EK11/all>

**Image database (product images, 2D dimension drawings, 3D models, device circuit diagrams, ...)**

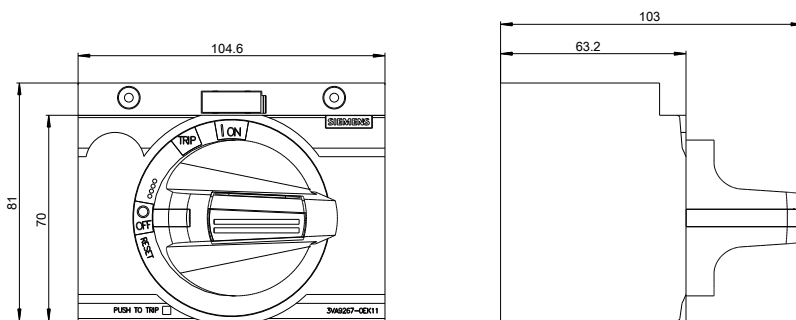
[http://www.automation.siemens.com/bilddb/cax\\_en.aspx?mlfb=3VA92670EK11](http://www.automation.siemens.com/bilddb/cax_en.aspx?mlfb=3VA92670EK11)

**CAX-Online-Generator**

<http://www.siemens.com/cax>

**Tender specifications**

<http://ausschreibungstexte.siemens.com/tiplv>



**last modified:**

14.04.2016